

## Flanged Linear Actuator Connectors

Aluminum, with 4 Mounting Holes

### SPECIFICATION

#### Identification no.

No. **2**: With stainless steel socket cap srew DIN 912

Aluminum

Powder coated

Black, RAL 9005, textured finish **SW**

Sleeve bearing

Plastic (PTFE)

Socket cap screws DIN 912

Stainless steel AISI 304

Hex nuts DIN 985

Stainless steel AISI 304

Self-locking via polyamide ring



### INFORMATION

Flanged linear actuator connectors GN 146.1 are based on flanged connector clamps. The additionally provided mounting holes are used to connect to the drive key of a linear actuator. Bores with the designation **G** are equipped with sleeve bearings.

With the screw location **z**, the play of the guide bores  $d_1$  can be adjusted or the linear actuator connectors can be clamped after adjustment.

For quick clamping without tools, the socket cap screw can be replaced by the adjustable hand levers GN 911 (see page 1874) listed in the table as accessories.

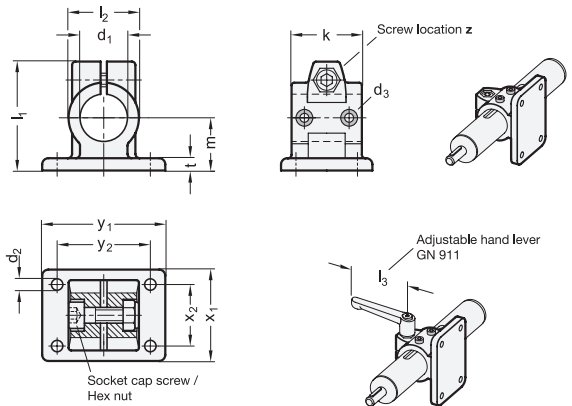
### ACCESSORY

- Adjustable Hand Levers GN 911 (see page 1874)

### TECHNICAL INFORMATION

- Plastic Characteristics (see page A2)

- Stainless Steel Characteristics (see page A26)



### GN 146.1-Without sleeve bearing

Description	$d_1$ Bore without sleeve bearing	k Clamping length	$d_2$	$d_3$ Mounting screws on the drive key	$l_1$	$l_2$	m	t	$x_1$	$x_2$	$y_1$	$y_2$	z Screw location	Accessory Recom. hand lever GN 911 for z $l_3$	⚖
GN 146.1-B30-40-2-SW	B 30	40	6.5	M 4	62	40	30	7	52	35	70	53	M8-25	63   78	154
GN 146.1-B30-56-2-SW	B 30	56	8.5	M 4	83	56	42	10	78	52	108	82	M10-35	-	430
GN 146.1-B40-56-2-SW	B 40	56	8.5	M 5	83	56	42	10	78	52	108	82	M10-35	78   92	500
GN 146.1-B40-65-2-SW	B 40	65	11	M 5	95	65	50	14	92	62	128	98	M10-50	-	675
GN 146.1-B50-65-2-SW	B 50	65	11	M 6	95	65	50	14	92	62	128	98	M10-50	78   92	795
GN 146.1-B60-80-2-SW	B 60	80	11	M 8	112	80	60	14	110	74	154	118	M10-50	78   92	1130

### GN 146.1-With sleeve bearing

Description	$d_1$ Bore with sleeve bearing	k Clamping length	$d_2$	$d_3$ Mounting screws on the drive key	$l_1$	$l_2$	m	t	$x_1$	$x_2$	$y_1$	$y_2$	z Screw location	Accessory Recom. hand lever GN 911 for z $l_3$	⚖
GN 146.1-G30-40-2-SW	G 30	40	6.5	M 4	62	40	30	7	52	35	70	53	M8-25	63   78	154
GN 146.1-G30-56-2-SW	G 30	56	8.5	M 4	83	56	42	10	78	52	108	82	M10-35	-	430
GN 146.1-G40-56-2-SW	G 40	56	8.5	M 5	83	56	42	10	78	52	108	82	M10-35	78   92	500
GN 146.1-G40-65-2-SW	G 40	65	11	M 5	95	65	50	14	92	62	128	98	M10-50	-	675
GN 146.1-G50-65-2-SW	G 50	65	11	M 6	95	65	50	14	92	62	128	98	M10-50	78   92	795
GN 146.1-G60-80-2-SW	G 60	80	11	M 8	112	80	60	14	110	74	154	118	M10-50	78   92	1130